



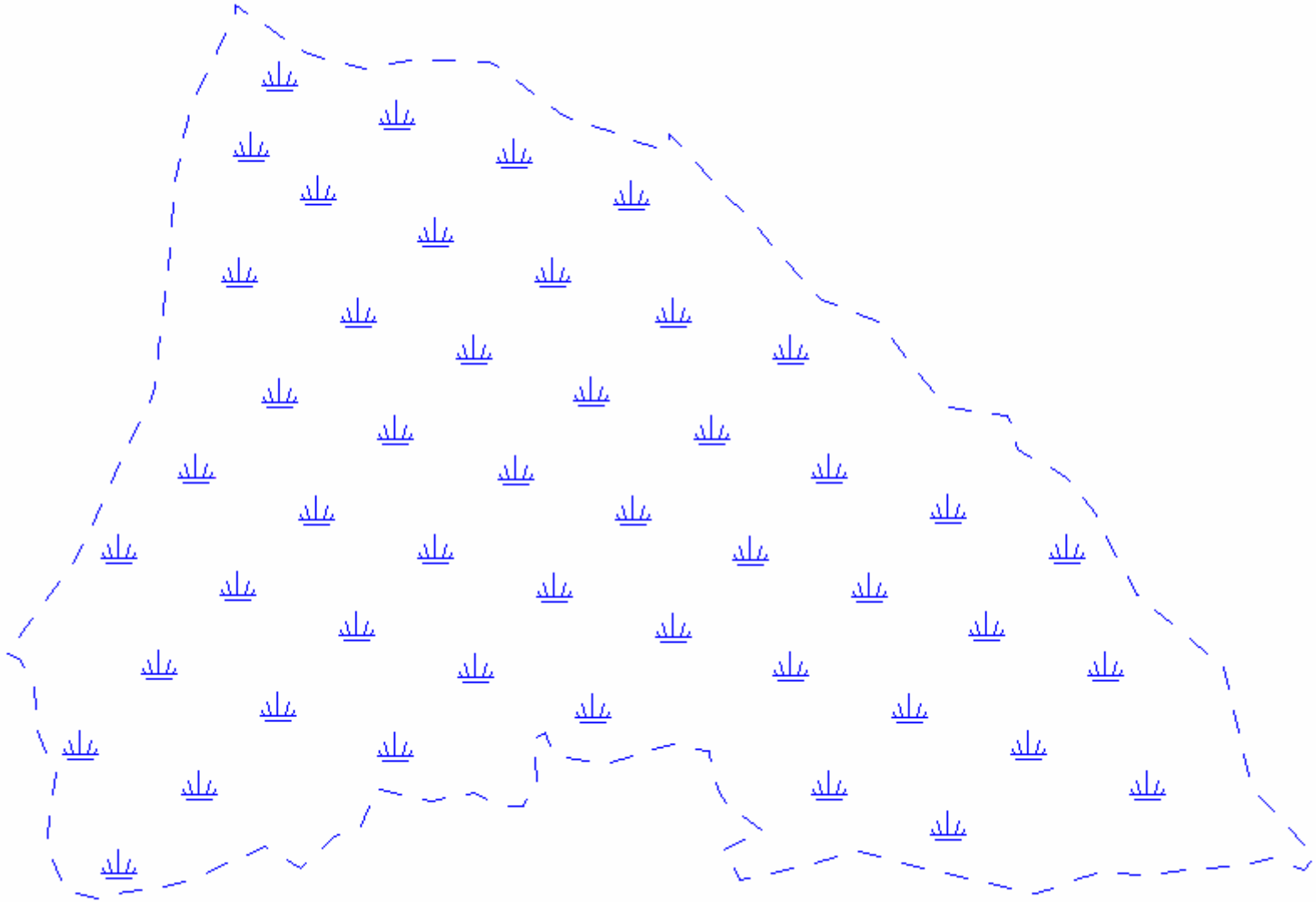
Digitale Kartographie Geo-Information

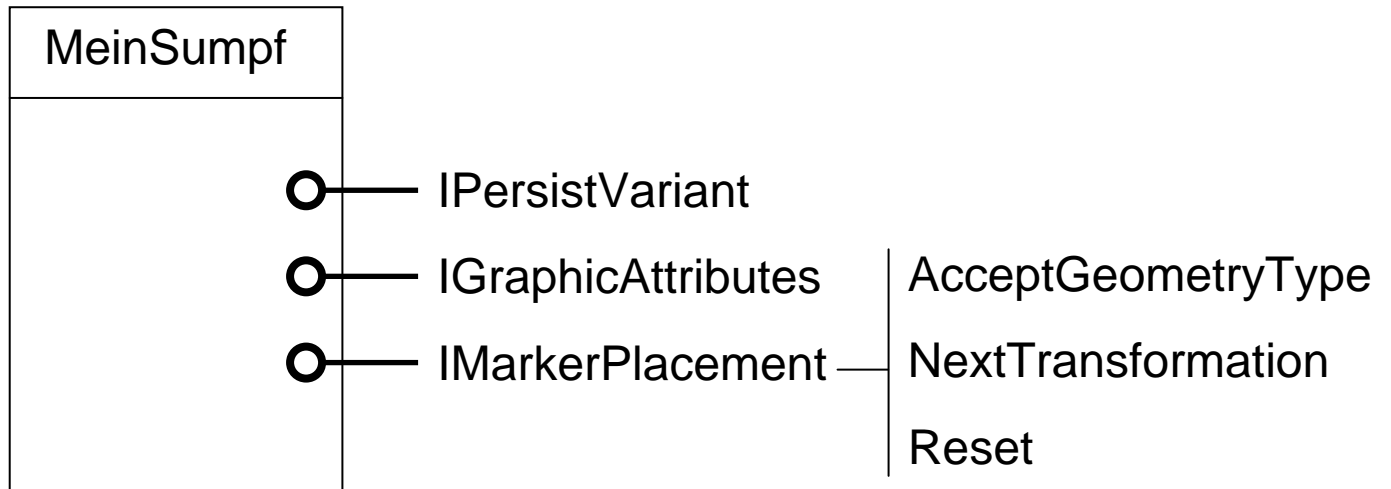
ANDERHUB AG ZEICHENTECHNIK+KARTOGRAPHIE Feldhaus 9 6274 Eschenbach-LU

eigene

- Geometric Effects
- Marker Placement Styles

erstellen





MyEffects - Microsoft Visual Basic [design]

File Edit View Project Format Debug Run Query Diagram Tools Add-Ins Window Help

Ln 1, Col 1

MyEffects - CMeinSumpf (Code)

(General) (Declarations)

```
Option Explicit

Implements esriSystem.IPersistVariant
Implements esriDisplay.IGraphicAttributes
Implements esriDisplay.IMarkerPlacement

Private Property Get IMarkerPlacement_AcceptGeometryType(ByVal inputType As esriGeometryType) As esriGeometryType
End Property

Private Function IMarkerPlacement_NextTransformation() As esriGeometry.IAffineTransformation2D
End Function

Private Sub IMarkerPlacement_Reset(ByVal geom As esriGeometry.IGeometry)
End Sub

Private Property Get IGraphicAttributes_ClassName() As String
End Property

Private Property Get IGraphicAttributes_ID(ByVal attrIndex As Long) As Long
End Property

Private Property Get IGraphicAttributes_IDByName(ByVal Name As String) As Long
End Property

Private Property Get IGraphicAttributes_Name(ByVal attrId As Long) As String
End Property

Private Property Get IGraphicAttributes_Type(ByVal attrId As Long) As esriDisplay.IGraphicAttributeType
End Property

Private Property Let IGraphicAttributes_Value(ByVal attrId As Long, ByVal RHS As Variant)
End Property

Private Property Get IGraphicAttributes_Value(ByVal attrId As Long) As Variant
End Property

Private Property Get IPersistVariant_ID() As esriSystem.IUID
End Property
```

Project - MyEffects

- MyEffects (MyEffects.vbp)
 - Class Modules
 - CMeinSumpf (CMeinSumpf.cls)


Properties - CMeinSumpf

CMeinSumpf ClassModule

Alphabetic | Categorized

(Name)	CMeinSumpf
DataBindingBehavior	0 - vbNone
DataSourceBehavior	0 - vbNone
Instancing	5 - MultiUse
MTSTransactionMode	0 - NotAnMTSObject
Persistable	0 - NotPersistable

(Name)
Returns the name used in code to identify a form, control, or data access object.



The image shows a screenshot of Microsoft Visual Studio with the following components:

- Code Editor:** Displays the header file `CMeinSumpf.h`. The code defines a class `CMeinSumpf` that inherits from `ATL_NO_VTABLE CMeinSumpf`. It implements several interfaces: `ISupportErrorInfo`, `I MeinSumpf`, `IPersistStream`, `IGraphicAttributes`, and `I MarkerPlacement`. The code includes registry declarations, COM map entries, and implementation stubs for methods like `FinalConstruct`, `FinalRelease`, and `get_AcceptGeometryType`.
- Class View:** Shows the class hierarchy for `MyEffects`. The `CMeinSumpf` class is highlighted, showing its inheritance from `CCoClass<CMeinSumpf, &CLSID_MeinSumpf>` and its implementation of various interfaces.
- Method List:** A list of methods for `CMeinSumpf` is shown, including `FinalConstruct`, `FinalRelease`, `get_AcceptGeometryType`, `get_ClassName`, `get_GraphicAttributeCount`, `get_ID`, `get_IDByName`, `get_Name`, `get_Type`, `get_Value`, `GetSizeMax`, `InterfaceSupportsErrorInfo`, `InternalFinalConstructAddRef`, `InternalFinalConstructRelease`, `IsDirty`, `Load`, `NextTransformation`, and `put_Value`.

MyEffects - Microsoft Visual Studio

Objektbrowser MeinSumpf.cs

```
using ESRI.ArcGIS.esriSystem;
using ESRI.ArcGIS.ADF.CATIDs;

namespace MyEffects
{
    [Guid("d3f9bfe3-db74-433e-a3eb-d2dd944d9483")]
    // [ClassInterface(ClassInterfaceType.None)]
    public class MeinSumpf : IMarkerPlacement, IGraphicAttributes, IPersistVariant
    {
        [COM Registration Function(s)]
        [Component Category Registration]

        public double m_dMagic;
        public IAffineTransformation2D m_pT;

        public MeinSumpf()
        {
            m_dMagic = 2.718281828459;
            m_pT = new AffineTransformation2DClass();
        }

        public void IMarkerPlacement.Reset(ESRI.ArcGIS.Geometry.IGeometry geom)
        {
            throw new Exception("The method or operation is not implemented.");
        }

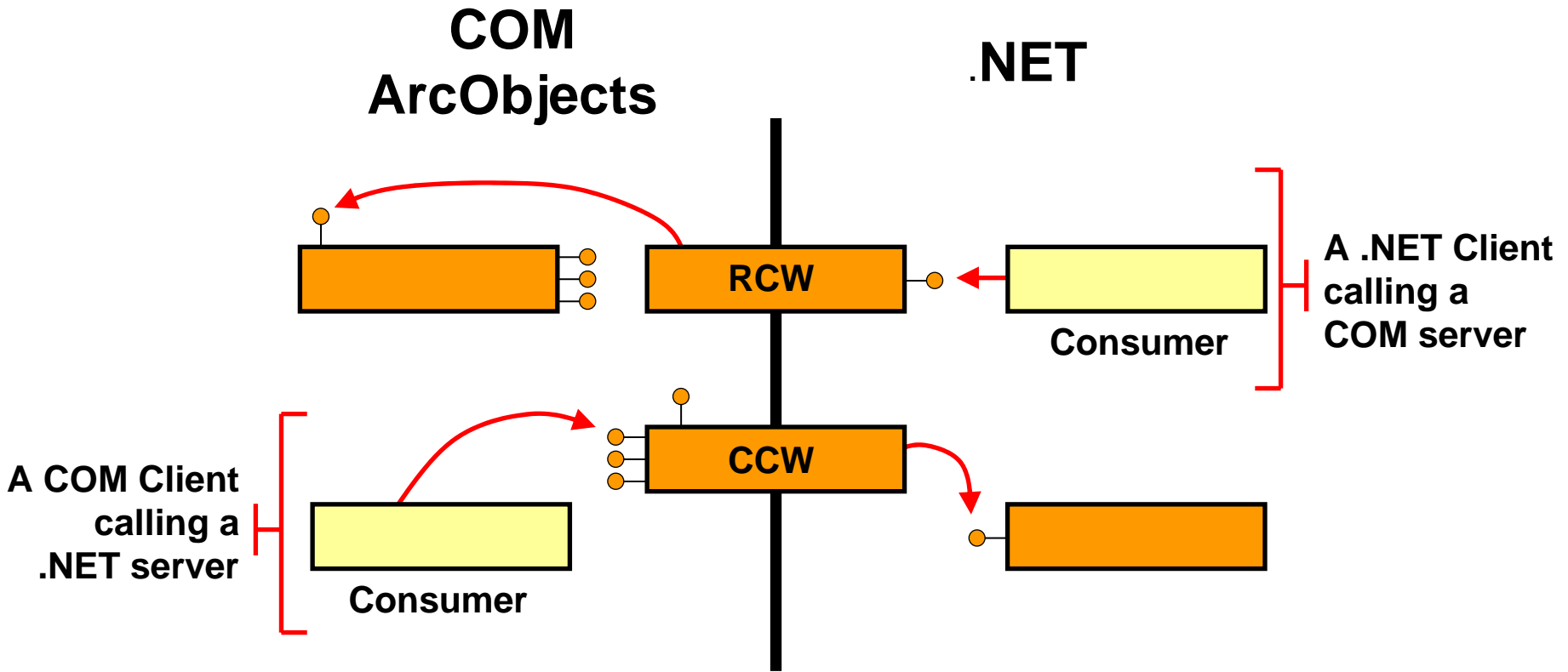
        public bool IMarkerPlacement.get_AcceptGeometryType(ESRI.ArcGIS.Geometry.esriGeometryType inputType)
        {
            if (inputType == esriGeometryType.esriGeometryPolygon)
                return true;
            else
                return false;
        }
    }
}
```

Klassenansicht

- MyEffects
- MeinSumpf
 - Basistypen
 - IGraphicAttributes
 - IMarkerPlacement
 - IPersistVariant
 - Object

- ~Object()
- Equals(object, object)
- Equals(object)
- GetHashCode()
- GetType()
- MemberwiseClone()
- Object()
- ReferenceEquals(object, object)
- ToString()

Bereit



Performance ?

Feature Class Representation Properties



General

Representation

[1] Rule_1



Marker

Marker:



Size:

20

Angle:

0

Mein Sumpf



Magische Zahl:

2.71828



OK

Abbrechen

Übernehmen

